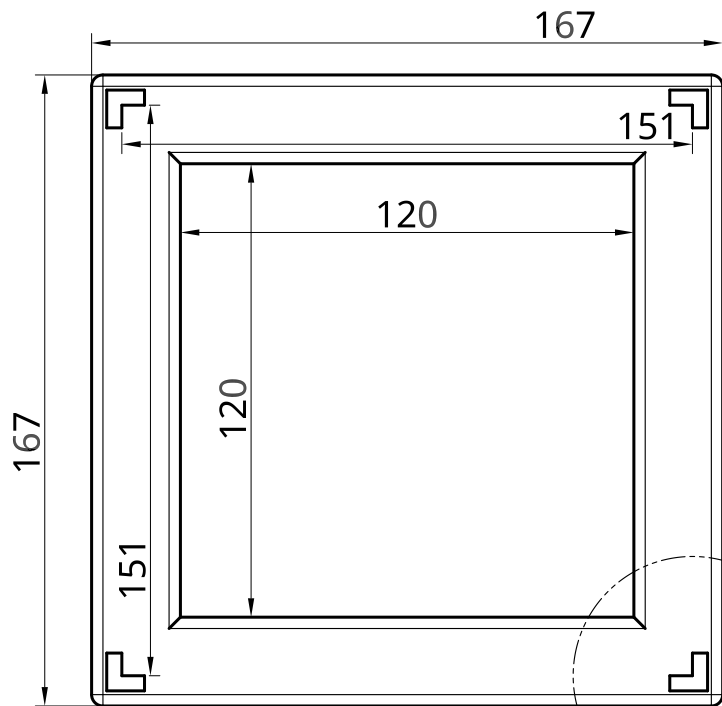
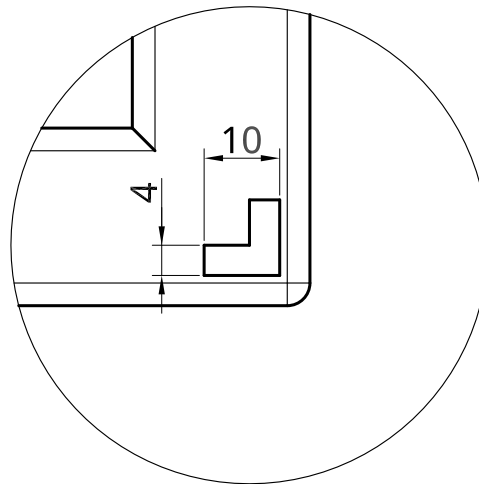


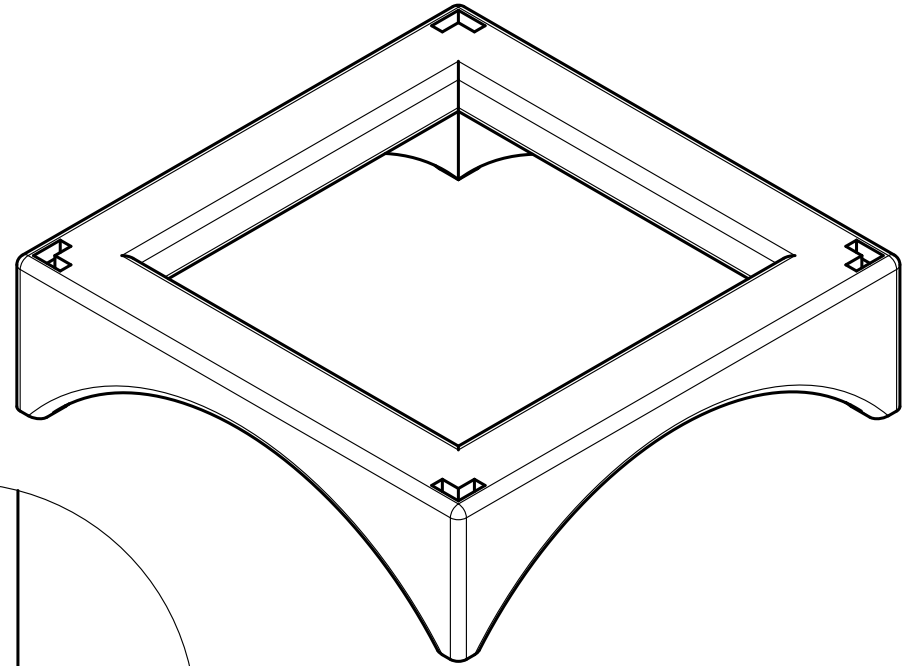
1:2



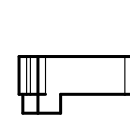
1:2



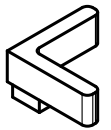
A
1:1



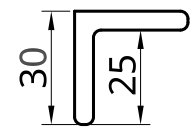
1:2



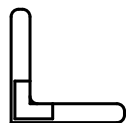
1:2



1:2



1:2



1:2

UNLESS OTHERWISE SPECIFIED, DIMENSIONS ARE IN MILLIMETERS ANGULAR = ± °		NAME	SIGNATURE	DATE	0,35mm Schichtdicke		
SURFACE FINISH		DRAWN	MARTIN BROCKELMANN	2018-08-27	TITLE --- ATX-Netzteil-Halterung ---		
DO NOT SCALE DRAWING		CHECKED	HARALD SCHMID	2018-08-28			
BREAK ALL SHARP EDGES AND REMOVE BURRS		APPROVED	MARCO REICHEL	2018-08-28			
FIRST ANGLE PROJECTION 	MATERIAL	FINISH		SIZE	DWG NO.	REV.	
	ABS			A4	01	-	
		SCALE	1:2 / 1:1	WEIGHT	126g	SHEET	1 of 1