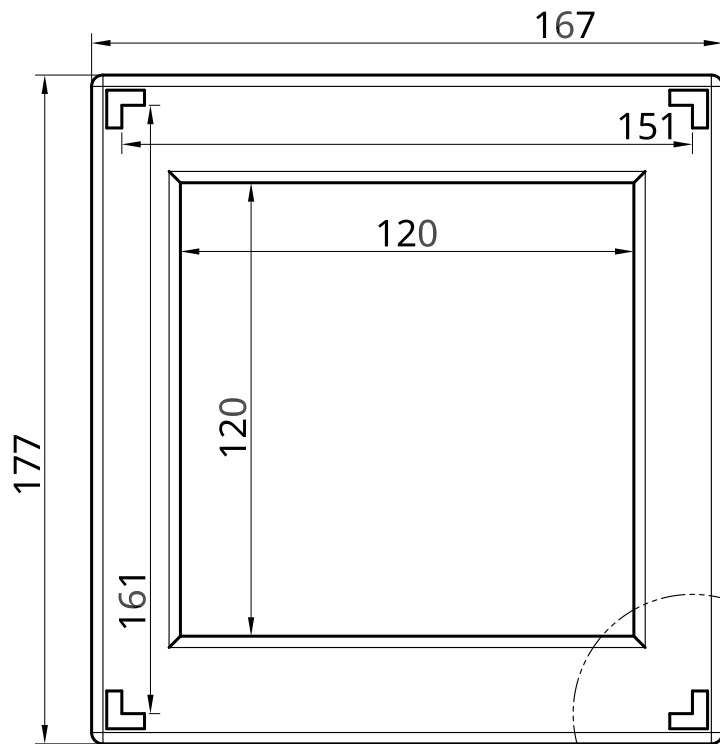
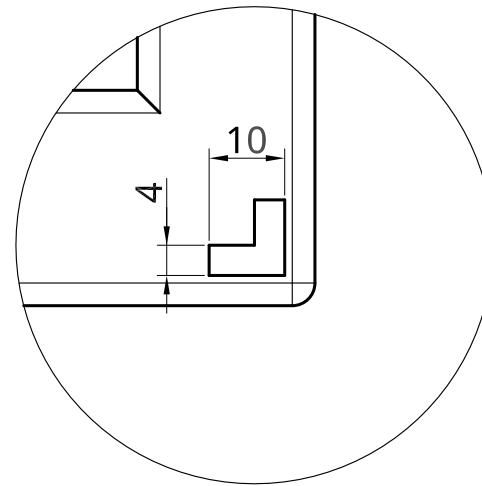


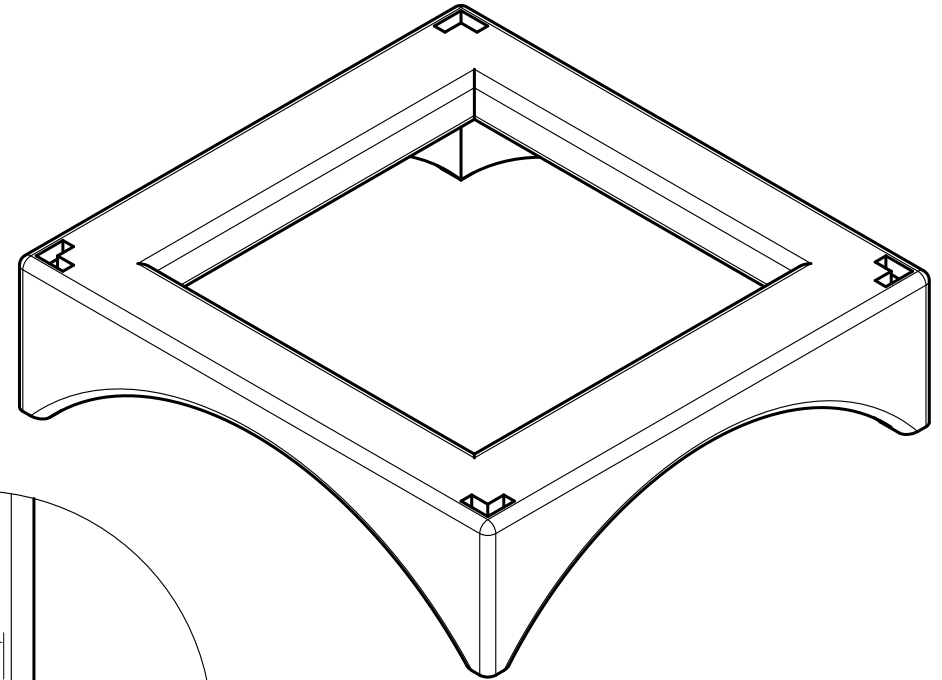
1:2



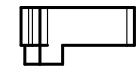
1:2



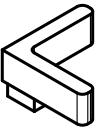
A
1:1



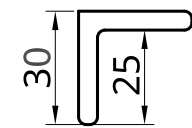
1:2



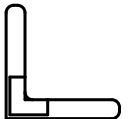
1:2




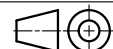
1:2



1:2



1:2

UNLESS OTHERWISE SPECIFIED, DIMENSIONS ARE IN MILLIMETERS ANGULAR = ±° SURFACE FINISH  DO NOT SCALE DRAWING BREAK ALL SHARP EDGES AND REMOVE BURRS FIRST ANGLE PROJECTION 	DRAWN	MARTIN BROCKELMANN	SIGNATURE	DATE	0,35mm Schichtdicke					
	CHECKED	HARALD SCHMID		2018-08-28	TITLE --- ATX-Netzteil-Halterung ---					
	APPROVED	MARCO REICHEL		2018-08-28						
	MATERIAL	ABS		FINISH		SIZE	A4			
					DWG NO.	01	REV.	-		
					SCALE	1:2 / 1:1	WEIGHT	135g	SHEET	1 of 1